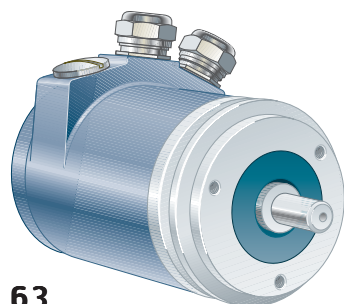
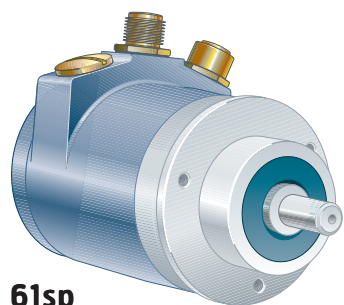


607/608 — Ruggedized Shaft encoder, Absolute

DeviceNet



63



61sp

Short description:

- >> DeviceNet profile rev.2
- >> IP 67 at housing, IP 66 at shaft inlet
- >> Robust enclosure for harsh environments
- >> Shock and vibration protected

Suitable applications:

- >> Automation industry
- >> Packaging machines
- >> Cranes
- >> Elevators

General information

Encoder data		
Operating temperature	-40°C .. +70°C	
Storage temperature	-30°C .. +70°C	
Ingress protection class	IP-67 according to IEC 60529	
At shaft inlet	IP-66 according to IEC 60529	
Vibration (55 to 2000Hz)	< 100 m/s ² according to IEC 60068-2-6	
Shock (6ms)	< 1000 m/s ² according to IEC 60068-2-27	
Cover material	Aluminium	
Weight	Approx. 400g	
Accuracy and resolution		
Encoder type	RSA 607	RSA 608
Total Resolution	13 Bit	25 Bit
Singleturn resolution	13 Bit	13 Bit (8192 absolute positions per revolution)
Multiturn resolution		12 Bit (4096 absolute number of revolutions)
Accuracy	± 1 LSB	

Flange option

Flange type	63, Synchro	61sp, Clamping
Outer diameter	ø58 mm	ø58 mm
Mounting holes	3 x M4	3 x M4
Flange material	Aluminium	Aluminium

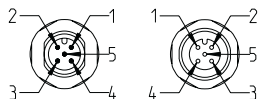
Shaft option

Shaft type	Ø 6 round	Ø 10 round
Axial shaft load	50 N	50 N
Radial shaft load	60 N	60 N
Mech. permissible speed	6000 rpm	6000 rpm
Shaft material	Stainless steel	Stainless steel
Moment of inertia	1,9 x 10 ⁻⁶ kgm ²	2,0 x 10 ⁻⁶ kgm ²



607/608 Ruggedized Shaft encoder, Absolute

DeviceNet



Connection option

Connector type	Terminal Cable gland	5 pin M12 A-coded Male	5 pin M12 A-coded Female
Function	Marking	PIN	PIN
CAN Shield	NC	1	1
CAN_H	H	4	4
CAN_L	L	5	5
+E Volt	+	2	2
0 Volt	-	3	3
Connecting direction			
Radial	Yes		Yes

NC=Not connected

Electrical option

Power supply	9-36Vdc
Polarity protected	Yes
Output interface	DeviceNet
Supported profile	Encoder profile revision 2
Baud rate	Autobaud
Node address	Settable via DIP switches, 0...63
Zero-set function	Pushbutton or DeviceNet attribute
Code type	Binary
Supported functions	Code sequence, Preset, Velocity and Scaling
Current consumption	90 mA @ 24Vdc
Max current consumpt.	150 mA @ 24Vdc

Accessories

Configuration software	
DeviceNet	Part number
EDS file	647830-01
Cables and connectors	
DeviceNet connection	
Cable M12 5p M-F 5m, A-coded Straight	584409-01
Cable M12 5p M-O 5m, A-coded Straight	584412-01
Cable M12 5p F-O 5m, A-coded Straight	584417-01
Connector M12 5p M, A-coded Straight	586293-01
Connector M12 5p F, A-coded Straight	586299-01
Terminating resistor M12 5p M, A-coded Straight	586276-01

For additional accessories like mounting clamps, measuring wheels, draw wire box etc. please advise separate datasheets for accessories.

Ordering information

RSA 607	
642800-01	RSA 607 61sp ø10 9-36Vdc SCD Cable Radial 13bit
642806-01	RSA 607 61sp ø10 9-36Vdc SCD M12 Radial 13bit
642802-01	RSA 607 63 ø6 9-36Vdc SCD Cable Radial 13bit
642808-01	RSA 607 63 ø6 9-36Vdc SCD M12 Radial 13bit
RSA 608	
642799-01	RSA 608 61sp ø10 9-36Vdc SCD Cable Radial 25bit
642805-01	RSA 608 61sp ø10 9-36Vdc SCD M12 Radial 25bit
642801-01	RSA 608 63 ø6 9-36Vdc SCD Cable Radial 25bit
642807-01	RSA 608 63 ø6 9-36Vdc SCD M12 Radial 25bit



LEINE LINDE

ISO 9001/ISO 14001 certified

Olivehällsvägen 8, SE-64542 Strängnäs, Sweden. Phone: +46 (0)152 26500. Fax: +46 (0)152 26505. E-mail: info@leinelinde.se

www.leinelinde.com

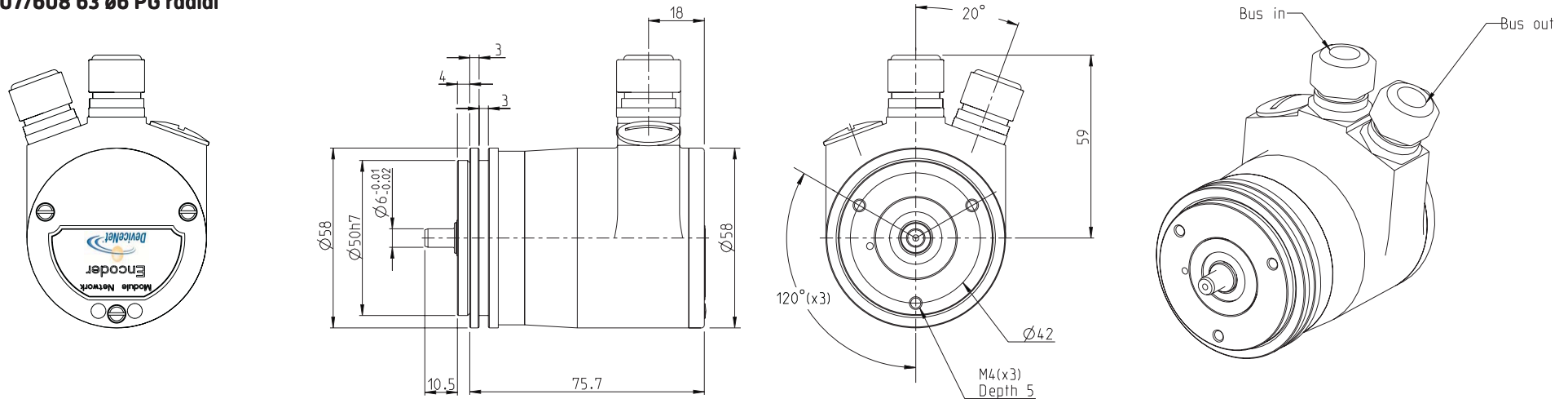
607/608 — Ruggedized Shaft encoder, Absolute

DeviceNet

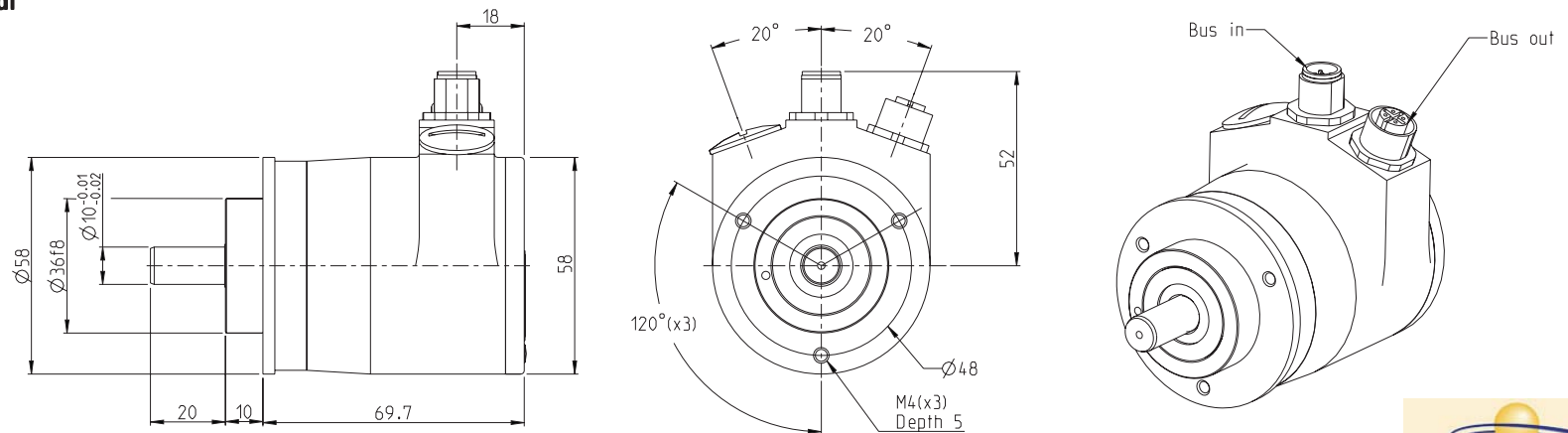


Dimensions

RSA 607/608 63 ø6 PG radial



RSA 607/608 61sp ø10 M12 radial



607/608 — Ruggedized Shaft encoder, Absolute

DeviceNet



LEINE LINDE ISO 9001/ISO 14001 certified

Olivehällsvägen 8, SE-64542 Strängnäs, Sweden. Phone: +46 (0)152 26500. Fax: +46 (0)152 26505. E-mail: info@leinelinde.se



www.leinelinde.com